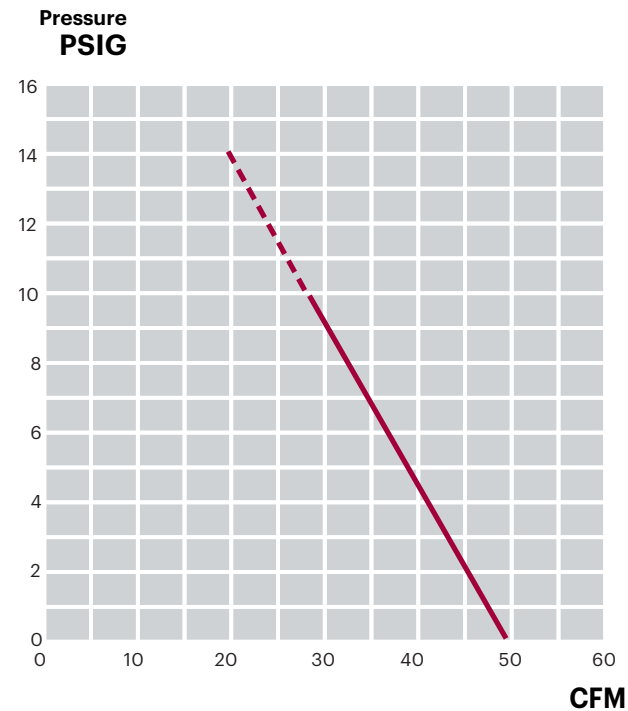
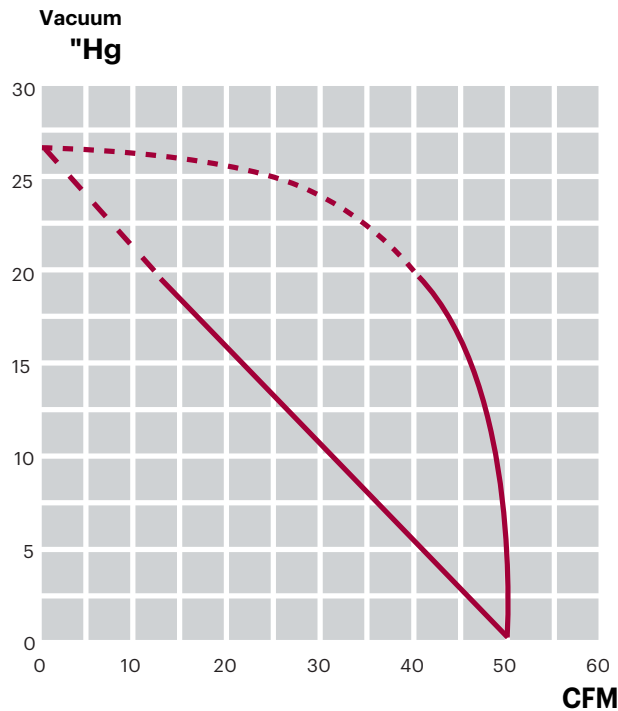


## FEATURES

- Oil free
- Maintenance free design
- Operates quietly at a maximum 70 dB(A)
- Cooler running outboard bearings increase service life
- Built-in particulate filters and silencers
- Compact light-weight design
- Handles vacuum and/or pressure applications
- Ideal alternative to standard oil sealed rotary vane pumps



## Performance Curves: 60 Hz



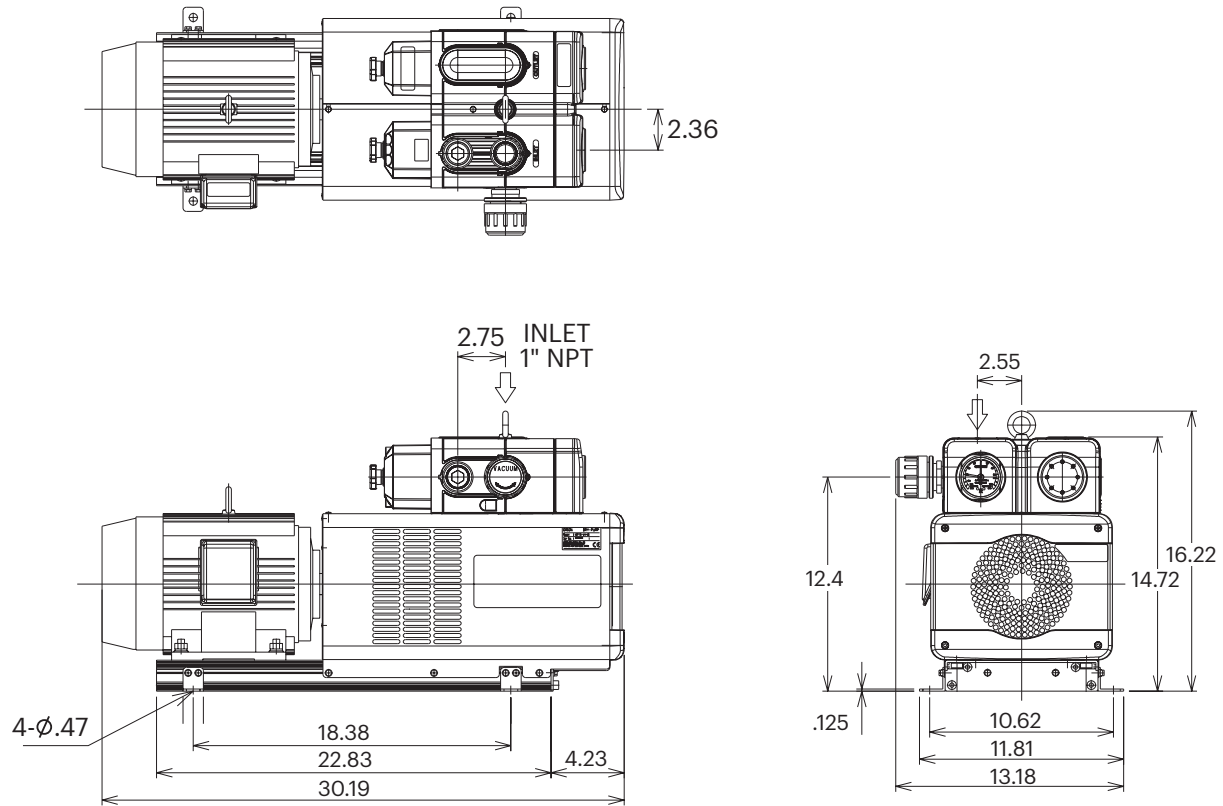
### AIRTECH, INC.

RUTHERFORD, NJ 07070  
WWW.AIRTECHUSA.COM  
TEL: (888) 222-9940  
FAX: (201) 569-1696

### NOTES

- o Standard voltage for three phase pumps is 208-230/460V 3ph 60Hz.
- o Standard voltage for single phase pumps is 115/230/1ph 50/60Hz, or 115V/1ph 60Hz, or 230V/1ph 60Hz
- o All pumps available in 50Hz frequency and with other voltages.

### DIMENSIONS (INCHES)



### SPECIFICATIONS (VACUUM)

Model	Motor	RPM	HP	CFM	Max. "Hg	LBS	Noise Level
<b>KRF70-G</b>	No motor			50	27.5"	170	68 dB(A)
<b>KRF70-G1</b>	208-230/460V	1200	3.0	50	27.5"	220	68 dB(A)
<b>KRF70-G4</b>	115/230V	1200	3.0	50	27.5"	235	68 dB(A)

### SPECIFICATIONS (PRESSURE)

Model	Motor	RPM	HP	CFM	Max. PSI	LBS	Noise Level
<b>KRF70-G</b>	No motor			50	14	170	68 dB(A)
<b>KRF70-G1</b>	208-230/460V	1200	3.0	50	14	220	68 dB(A)
<b>KRF70-G4</b>	115/230V	1200	3.0	50	14	235	68 dB(A)

#### AIRTECH, INC.

RUTHERFORD, NJ 07070  
WWW.AIRTECHUSA.COM  
TEL: (888) 222-9940  
FAX: (201) 569-1696